

# Auxiliary control equipments

## ■ Ø22mm PUSH BUTTONS

TOP22 Series



Description	Colour	☐	
Flush button		10	590.PPRN1
		10	590.PPRN2
		10	590.PPRN5
		10	590.PPRN8
Protruding button		10	590.PPSN1
		10	590.PPSN8
Illuminated flush button		10	590.PPRL2
		10	590.PPRL5

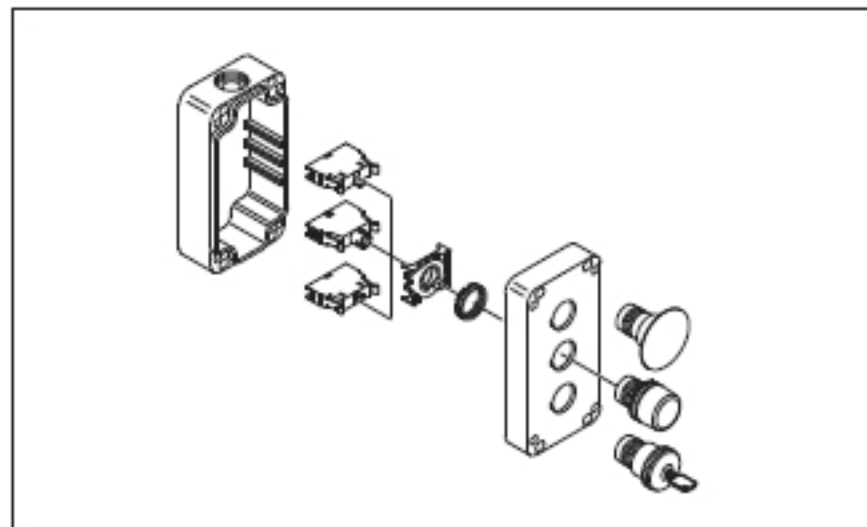
- Fixing by metal ring nut-hole diameter 22mm.
- Provided with contact carrier base plate.
- Clamping of the baseplate to the equipment by swing lever.

## ■ MUSHROOM-HEAD EMERGENCY PUSH BUTTONS

TOP22 Series



Description	Mushroom-head diameter (mm)	Colour	☐	
Release by key	Ø40		10	590.PPFN1C4N
Without (temporary) locking	Ø40		10	590.PPFN1M4N
Release by rotation	Ø40		10	590.PPFN1R4N
Release by rotation	Ø60		10	590.PPFN1R6N



Assembling of the ø22 unit on suitable panelboards.