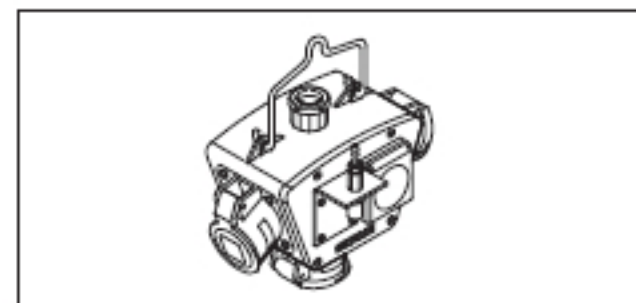




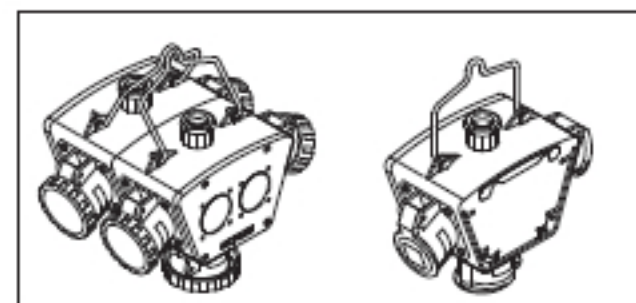
POWER SUPPLY	WITH APPLIANCE INLET		WITH APPLIANCE INLET	
Terminal block 16mm <sup>2</sup>	<b>IP44</b> □ 1/10	<b>IP66</b> □ 1/10	<b>IP44</b> □ 1/6	<b>IP66/IP67</b> □ 1/6
			<b>606.3005-479</b>	<b>606.3505-479</b>
	<b>603.3005-062</b>	<b>603.3505-062</b>	<b>606.3005-062</b>	<b>606.3505-062</b>
	<b>603.3005-063</b>	<b>603.3505-063</b>	<b>606.3005-063</b>	<b>606.3505-063</b>
	<b>603.3005-064</b>	<b>603.3505-064</b>		
	<b>603.3005-059</b>	<b>603.3505-059</b>	<b>606.3005-059</b>	<b>606.3505-059</b>
	<b>603.3005-061</b>	<b>603.3505-061</b>		
To be wired into the terminal block				

ADAPTO Series



A metal plate is supplied as an accessory for fastening the compressed air hose to be screwed into the knockouts provided for this purpose on the front of 2, 3 or 5-way adaptors.

Panel mounting sockets for domestic applications with 50x80 mm flange can be installed in the knockouts.



The Portable Distributions Units can be joined together to form an assembly, but the inlets remain independent of each other.

POWER SUPPLY	WITH APPLIANCE INLET
Terminal block 16mm <sup>2</sup>	<b>IP44</b> □ 1/10
	<b>603.5005-358</b>
	<b>603.5005-359</b>
	<b>603.5005-360</b>
To be wired into the terminal block	