

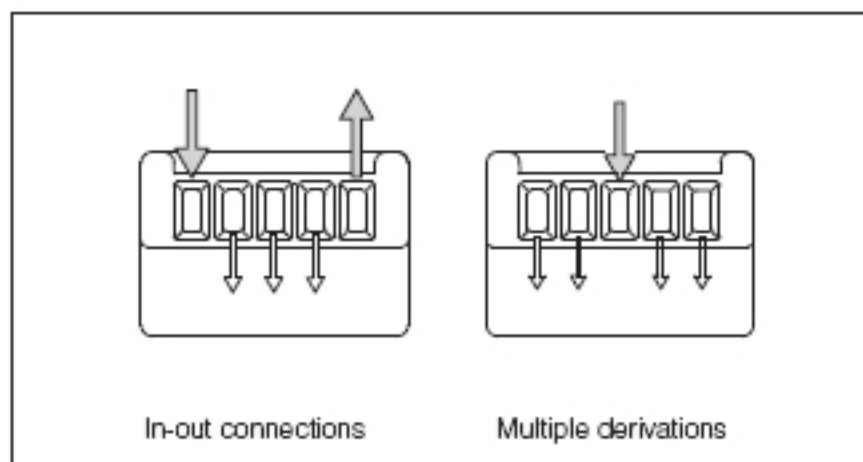
Multi-way wire connectors

MULTI-WAY WIRE CONNECTORS - T85

CONNECTO Series

Connecting capacity (mm ²)	N° of ways	Conductor n° size	Dimensions axbxc	⊕	
6	2	2x6mm ²	23x31x24	25/650	⊕ 817.0602
	3	3x6mm ²	31x31x24	25/400	⊕ 817.0603
	5	5x6mm ²	49x31x24	10/270	⊕ 817.0605
16	2	2x16mm ²	33x28x24	10/270	⊕ 817.1602
	3	3x16mm ²	45x28x24	10/270	⊕ 817.1603
	5	5x16mm ²	71x38x24	10/260	⊕ 817.1605
35	2	2x35mm ²	35x46x30	10/160	⊕ 817.3502
	3	3x35mm ²	49x46x30	10/260	⊕ 817.3503

Connecting capacity (mm ²)	N° of ways	Conductor n° size	Dimensions axbxc	⊕	
16	6	2x16mm ² 4x6mm ²	66x38x24	10/260	⊕ 817.1606C
35	6	2x35mm ² 4x16mm ²	83x46x30	10/120	⊕ 817.3506C



Multi-way wire connector - T85

- Cage clamp connectors.
- Captive screws.
- Rated voltage 450V~.
- Max. service temperature, continuous duty: 85 °C.

- Engineering plastic casing.
- Self-extinguishing material in compliance with IEC 60695-2-1 (850°C).
- Protection degree: IP20- Protection provided by a 2P 6 A MCB characteristic D.